



**TASSEL™ 19** PENDANT

THE TASSEL SERIES CONDENSES THE WARMTH AND DECADENCE OF A TRADITIONAL CHANDELIER TO A CONCISE, MODERN CONCLUSION. EMANATING FROM A BRASS DOME, THE LIGHT IS AMPLIFIED AS IT REFRACTS THROUGH MOLD-BLOWN GLASS CYLINDERS.

A P P A R A T U S

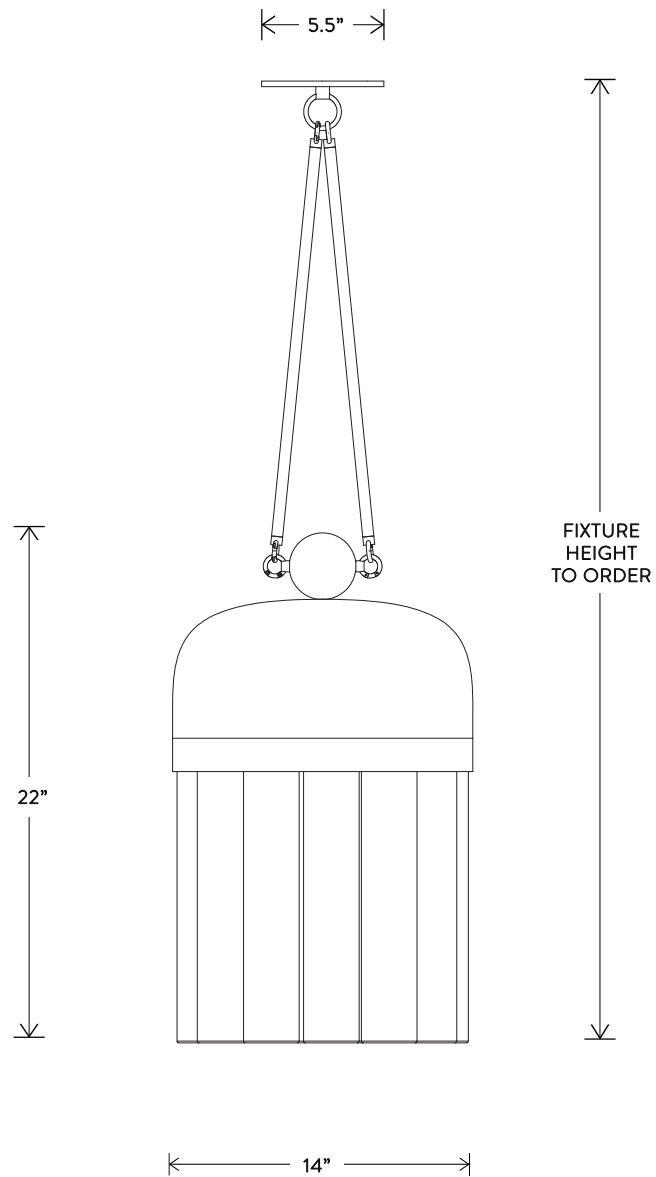
# TASSEL<sup>TM</sup> 19

PENDANT

DIMENSIONS: Ø 14"  
HEIGHT TO ORDER  
MINIMUM HEIGHT 32"  
INCLUDES UP TO 60"  
APPROXIMATE WEIGHT: 60 LBS

LAMPING: 18W DIMMABLE LED, 1750 LUMENS  
2700K COLOR TEMPERATURE  
LED ONBOARD DRIVER  
BULB LIFE: 50,000 HOURS

UL / CE APPROVED  
VOLTAGE: 120-240



A P P A R A T U S



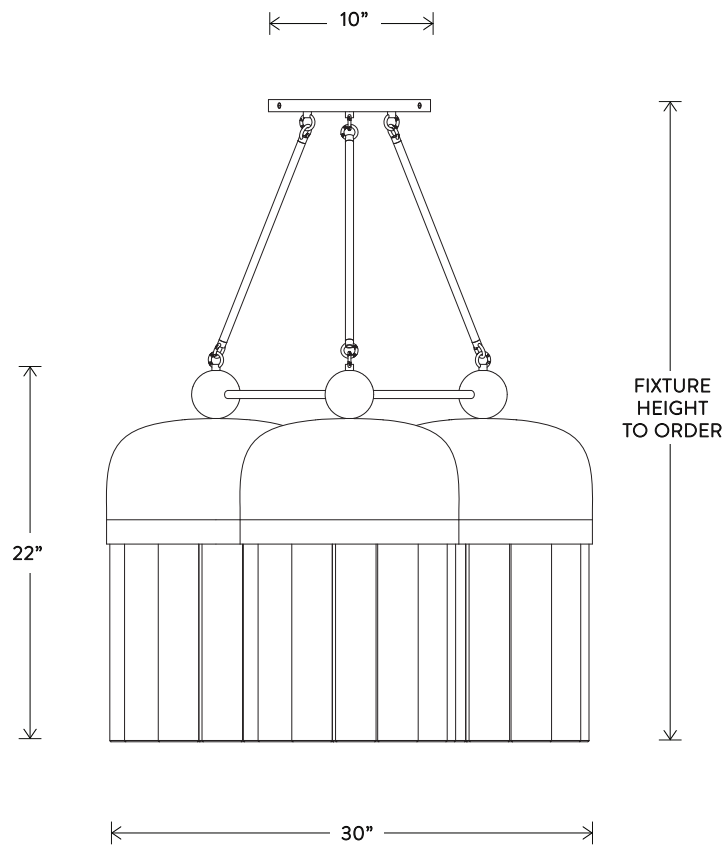
**TASSEL™ 57** PENDANT

THE TASSEL SERIES CONDENSES THE WARMTH AND DECADENCE OF A TRADITIONAL CHANDELIER TO A CONCISE, MODERN CONCLUSION. EMANATING FROM A BRASS DOME, THE LIGHT IS AMPLIFIED AS IT REFRACTS THROUGH MOLD-BLOWN GLASS CYLINDERS.

A P P A R A T U S

# TASSEL™ 57

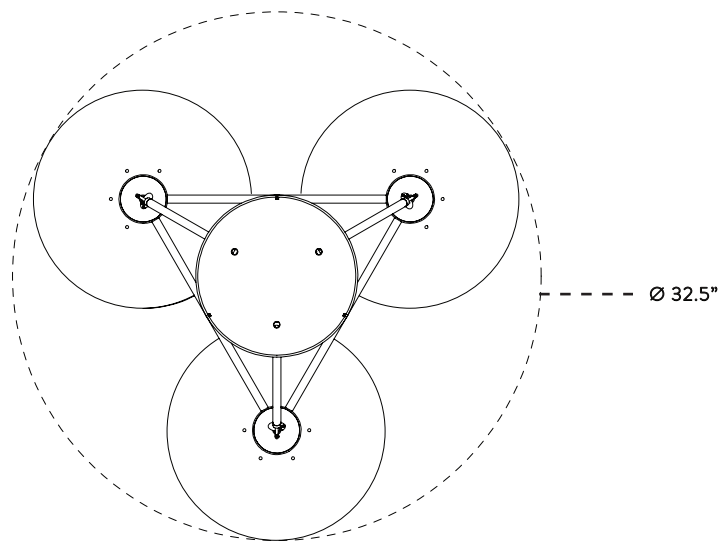
PENDANT



DIMENSIONS: Ø 32.5"  
WEIGHT: APPROX. 300 LBS  
HEIGHT TO ORDER  
MINIMUM HEIGHT 40"  
INCLUDES UP TO 85"  
APPROXIMATE WEIGHT: 200 LBS

LAMPING: 3 18W DIMMABLE LED MODULES  
1750 LUMENS EACH, 2700K COLOR TEMPERATURE  
LED ONBOARD DRIVER  
BULB LIFE: 50,000 HOURS

UL / CE APPROVED  
VOLTAGE: 120-240



A P P A R A T U S